

SolarEdge

Home Hub Inverter - Single Phase

Quick Installation Guide

Models SE10000H-RWSKB57

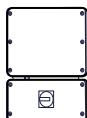
WARNING! To avoid danger, read the **HANDLING AND SAFETY INSTRUCTIONS** provided with this product, or refer to: https://www.solaredge.com/sites/default/files/se_handling_and_safety_instructions.pdf



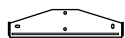
Before installation, read the datasheet provided with this product, or refer to: <https://knowledge-center.solaredge.com/sites/kc/files/se-home-hub-single-phase-inverter-datasheet-im.pdf>



What's in the Package



Inverter



Wall mount bracket

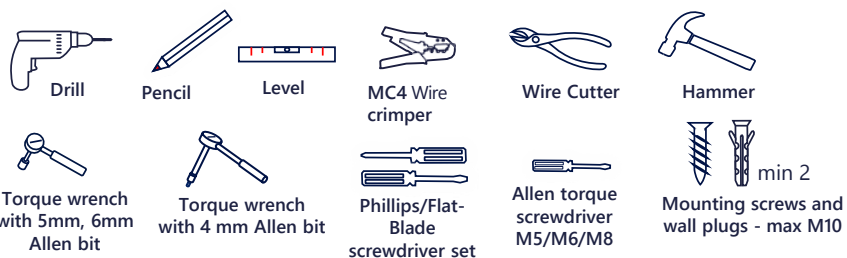


SolarEdge Wi-Fi Antenna

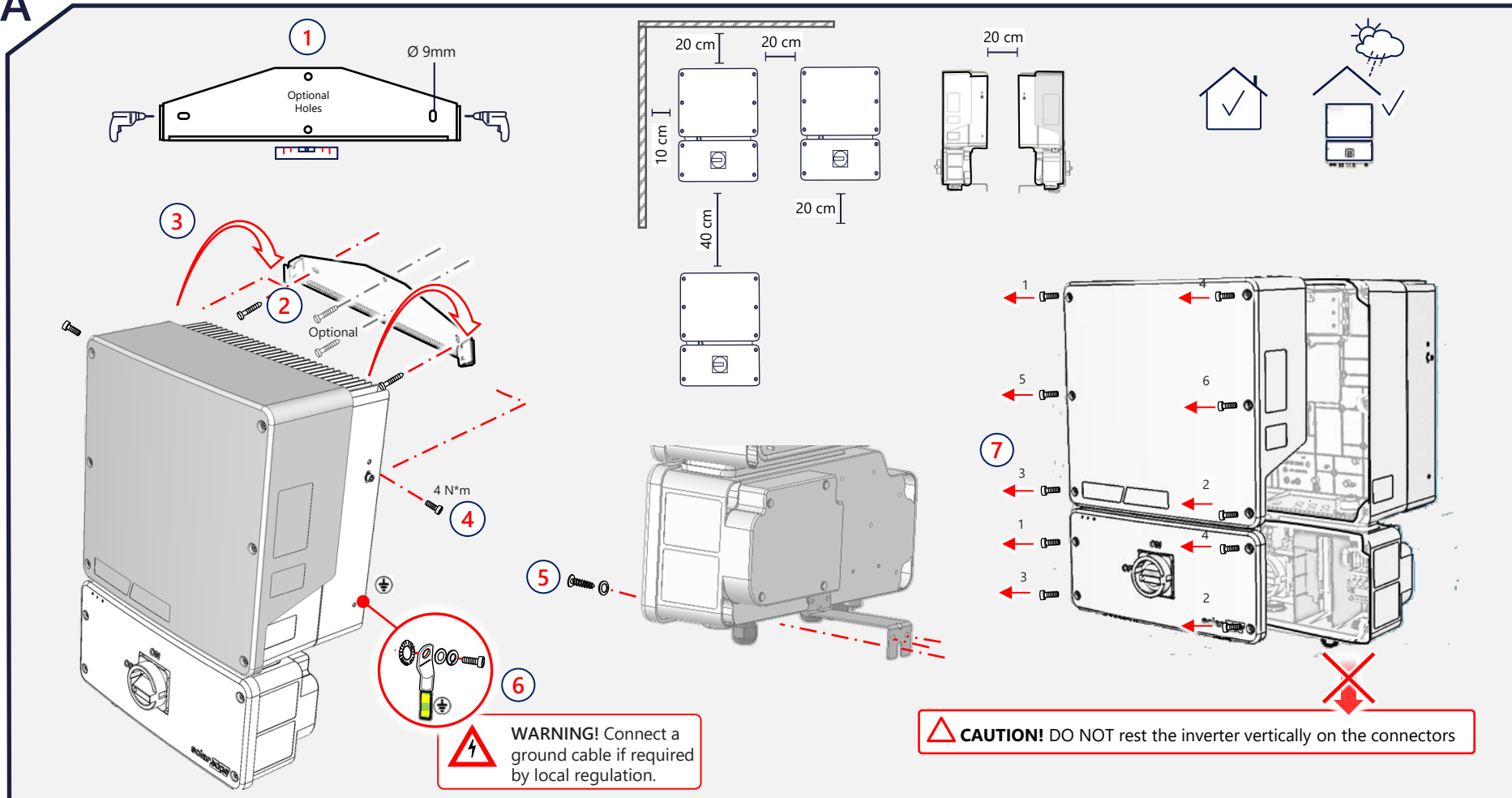
WARNING! Denotes a hazard. It calls attention to a procedure that, if not correctly performed or adhered to, could result in injury or loss of life. Do not proceed beyond a warning note until the indicated conditions are fully understood and met.

CAUTION! Denotes a hazard. It calls attention to a procedure that, if not correctly performed or adhered to, could result in damage or destruction of the product. Do not proceed beyond a caution sign until the indicated conditions are fully understood and met.

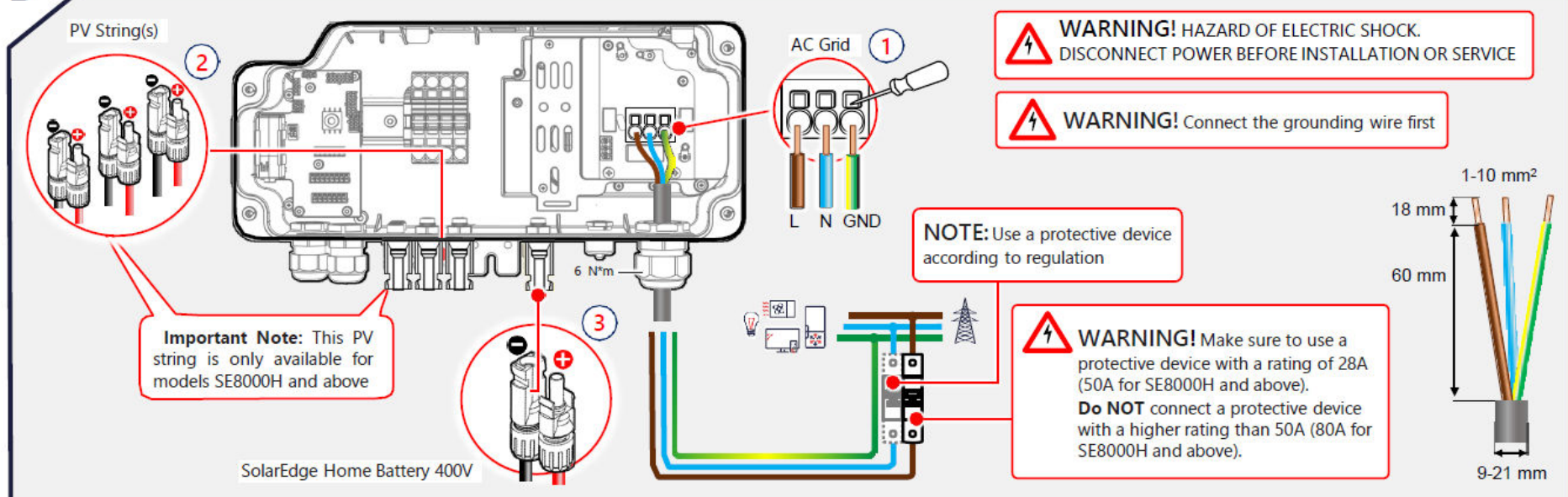
Tools and Materials



A Mounting



B Wiring

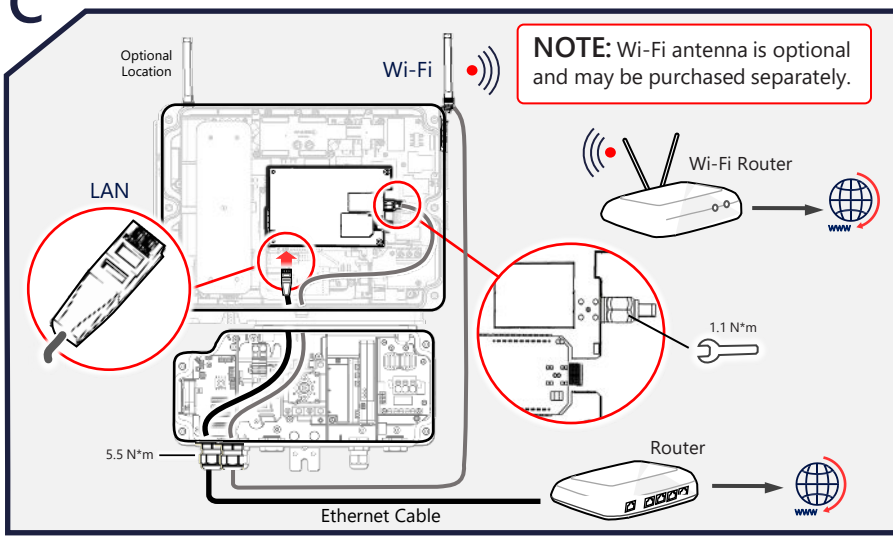


WARNING! Before installing or operating SolarEdge Home Battery 400V, read the safety and handling instructions provided with the battery.

IMPORTANT! The connection to units and accessories shown below is for reference only. For detailed information, refer to the specific product guide.

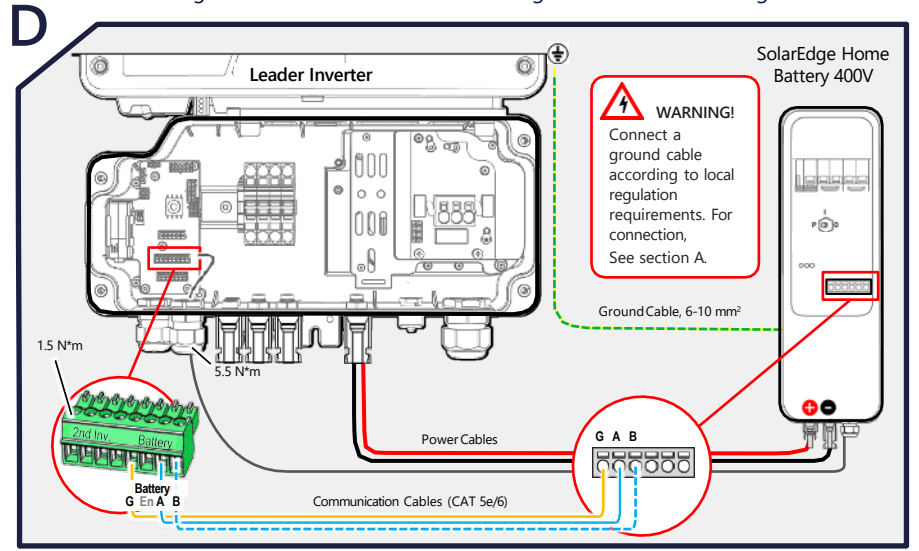
Connecting to LAN or Wi-Fi

In Leader/Follower configuration, LAN or Wi-Fi MUST connect to the Leader inverter



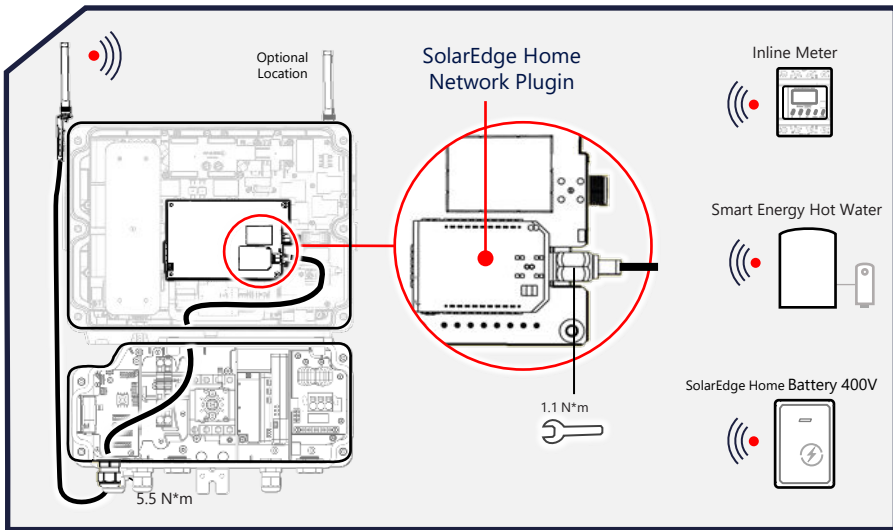
Connecting to SolarEdge Home Battery 400V

Optionally, connect battery communication wirelessly using SolarEdge Home Network. **IMPORTANT!** If wired communication is used, remove the SolarEdge Home Network plugin before making wire connections. Reinstall the Plug-in after commissioning the inverter.

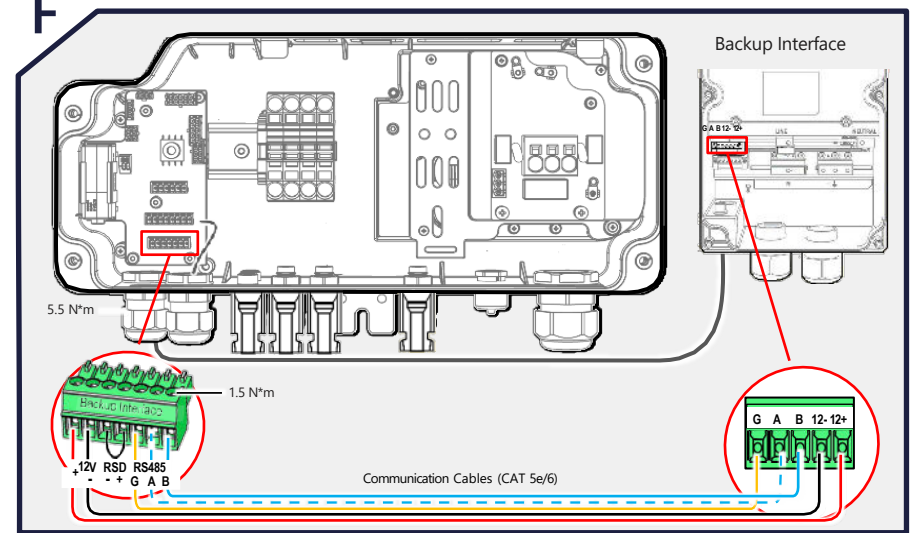


Connecting to SolarEdge Home Network

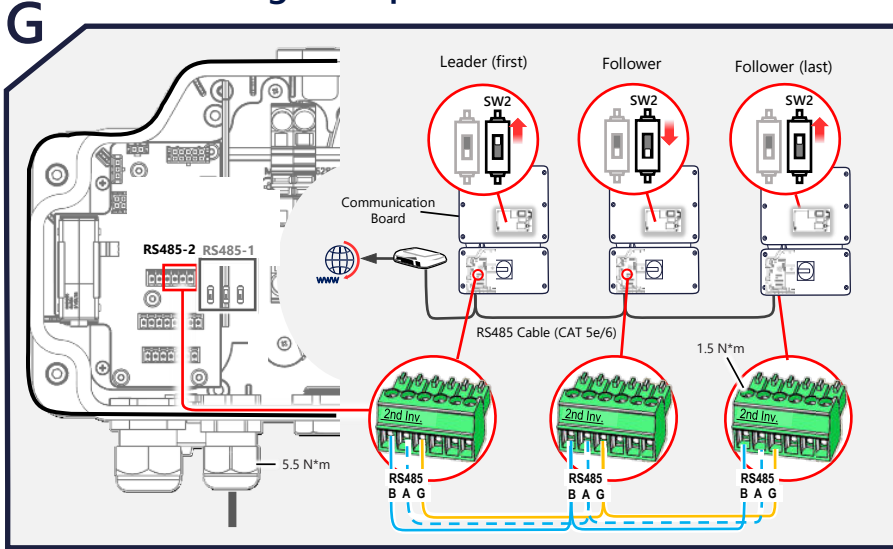
SolarEdge home network plugin and antenna are pre-installed in this product.



Connecting to Backup Interface

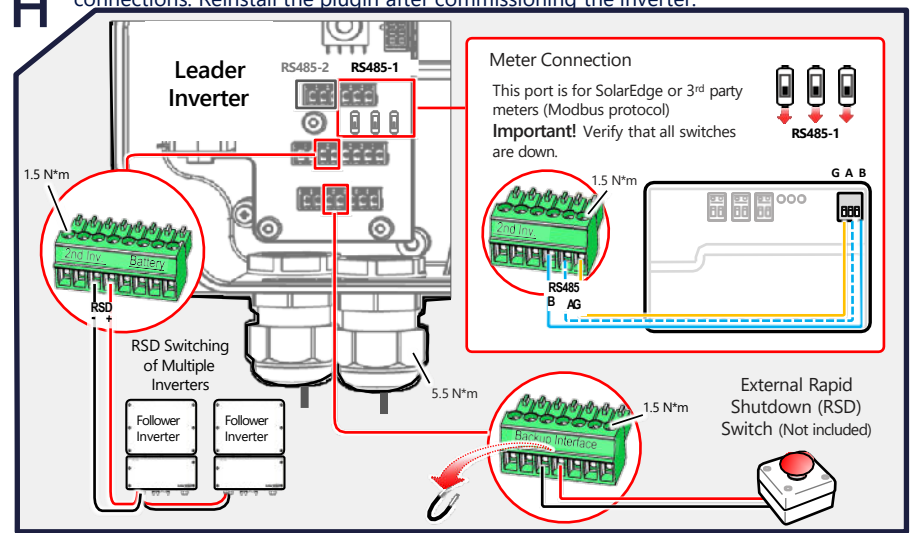


Connecting Multiple Inverters

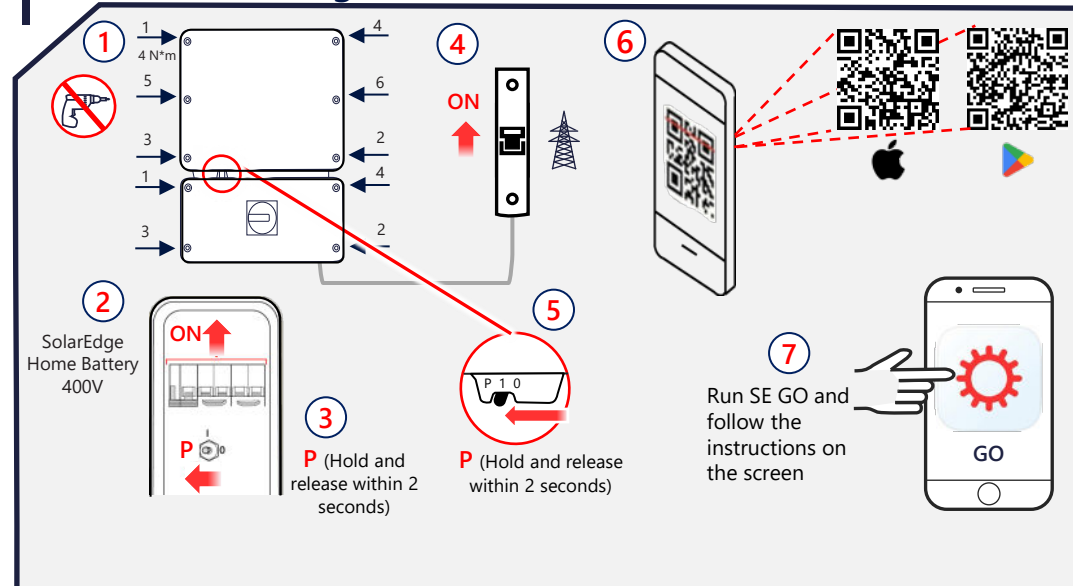


Connecting Meter and Rapid Shutdown (RSD) Switch

IMPORTANT! Remove the SolarEdge Home Network Plugin before making wire connections. Reinstall the plugin after commissioning the inverter.



Commissioning the Inverter



More information

For detailed information regarding LED indications, refer to: <https://www.solaredge.com/leds>

- Red: fault
- Green: power production,
- Blinking Green: Grid connection ok
- Blue: communication ok

For the SolarEdge Home Hub Multirange Concept Inverter Model Selection Guide, [click here](#) or scan the QR code:

